

# BUTTERFLY VALVES

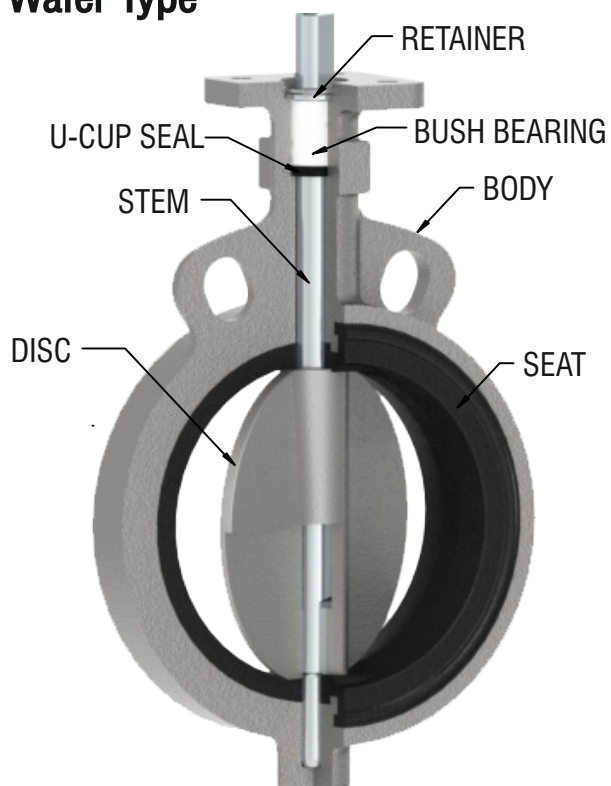


**AKAY INDUSTRIES PVT LTD**

## TYPE "BF50 & BF50L" FEATURES

- Center disc (Concentric) type
- Designed to BS - EN 593/API 609
- Face to Face BS - EN 558
- Testing Std. BS EN 12266-1 / API 598
- Bubble tight sealing
- Low pressure drop & Low Torque
- Blow-out proof stem
- Easy Replaceable Seat

### Wafer Type



#### Size Range :

- DN40 - DN600 / 1-1/2" - 24"

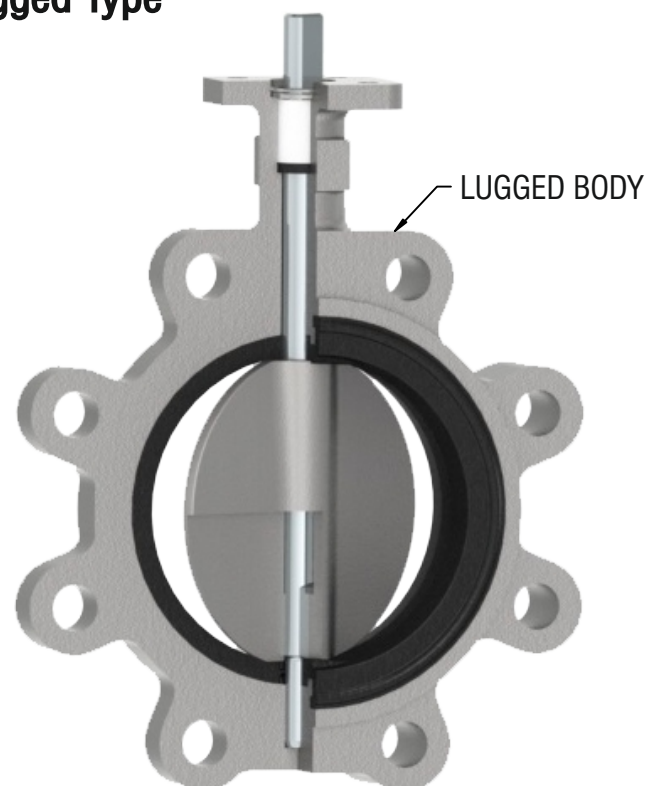
#### Pressure Rating :

- DN40 - DN600 = PN10
- DN40 - DN300 = PN16

#### End Connection :

- To suit PN6, PN10, PN16  
ASME CL.150, T-11 & T-17

### Lugged Type



#### Operation :

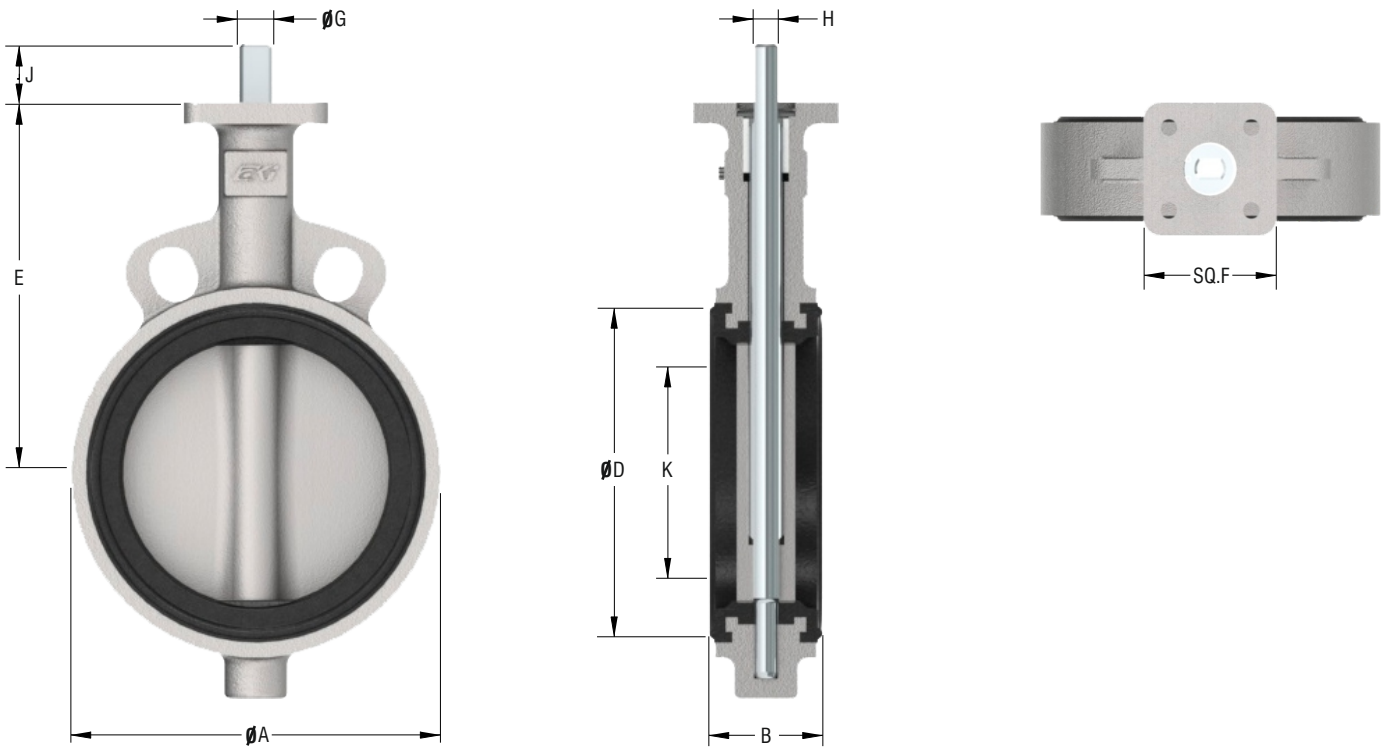
- Manual Hand Lever (Up To DN200 mm)
- Manual Gearbox (DN250 mm & Above)
- Pneumatic Actuator with Accessories  
& Manual Override.

#### Material of Construction :

- Body - Cast Iron, Ductile Iron & Carbon Steel
- Disc - Ductile Iron+Nylon 12 Coated & SS 316
- Stem - SS 410, SS 316
- Seat - EPDM, Buna N, Viton & Silicon

**"BETTER... BY DESIGN!"**

## DIMENSIONS

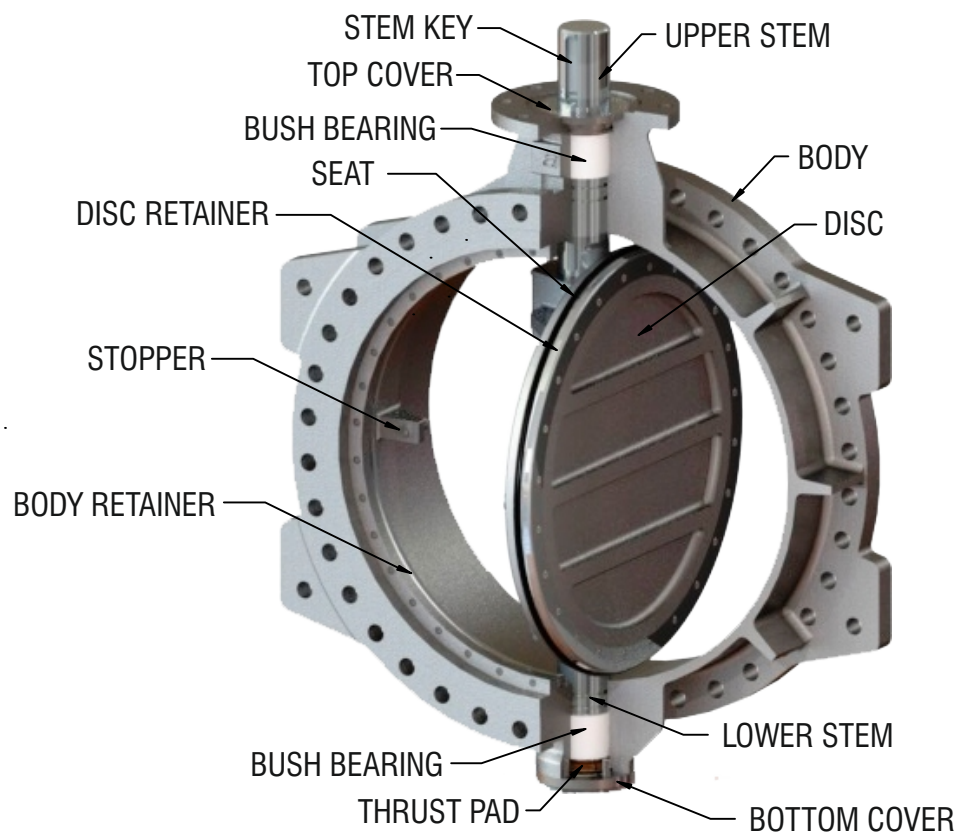


SIZE	ØA	B	ØD	E	SQ.F	Top Plate Drilling			ØG	H	J	K	Weight Kg	
						BC	No	HoleØ					Wafer	Lug
DN40 (1-1/2")	72	33	56	95	52	50	4	7	14	10	30	21	2.5	3
DN50 (2")	90	43	70	120	52	50	4	7	14	10	30	27.7	2.5	3
DN65 (2-1/2")	105	46	84	125	52	50	4	7	14	10	30	44.9	2.75	3.75
DN80 (3")	124	46	100	160	80	70	4	10	14	10	32	66	3.5	4
DN100 (4")	150	52	125	180	80	70	4	10	14	11	32	90.6	5	7.5
DN125 (5")	175	56	150	192	80	70	4	10	14	13	32	116.8	6.5	10
DN150 (6")	205	56	178	205	80	70	4	10	14	13	32	138.8	7.5	11.5
DN200 (8")	259	60	228	242	120	125	4	14	14	16	32	188	13	17.5
DN250 (10")	310	68	283	275	120	125	4	14	14	-	51	241	20	28
DN300 (12")	364	78	336	311	120	125	4	14	14	-	51	291.2	28	42
DN350 (14")	415	78	378	346	120	125	4	14	14	-	53	328	40	56
DN400 (16")	472	102	432	375	120	125	4	14	14	-	53	375.6	59.5	84
DN450 (18")	525	114	485	405	170	165	4	22	14	-	76	423.9	88	109
DN500 (20")	580	127	536	438	170	165	4	22	14	-	76	470	107.5	140
DN600 (24")	692	154	640	495	Ø210	165	4	22	14	-	102	570.5	178	217

**"BETTER... BY DESIGN!"**

## TYPE "BF100F" FEATURES

- |   |   |
|---|---|
| <input type="checkbox"/> Double Offset Disc Type, Flanged End | <input type="checkbox"/> Bubble tight sealing           |
| <input type="checkbox"/> Designed to BS - EN 593/API 609      | <input type="checkbox"/> Low pressure drop & Low Torque |
| <input type="checkbox"/> Face to Face BS - EN 558             | <input type="checkbox"/> Blow-out proof stem            |
| <input type="checkbox"/> Testing Std. BS EN 12266-1 / API 598 | <input type="checkbox"/> Easy Replaceable Seat          |



### Size Range :

- DN80 - DN1000 / 3" - 40"

### Pressure Rating :

- DN80 - DN1000 = PN10/PN16

### End Connection :

- To suit PN6, PN10, PN16  
ASME CL.150, T-11 & T-17

### Operation :

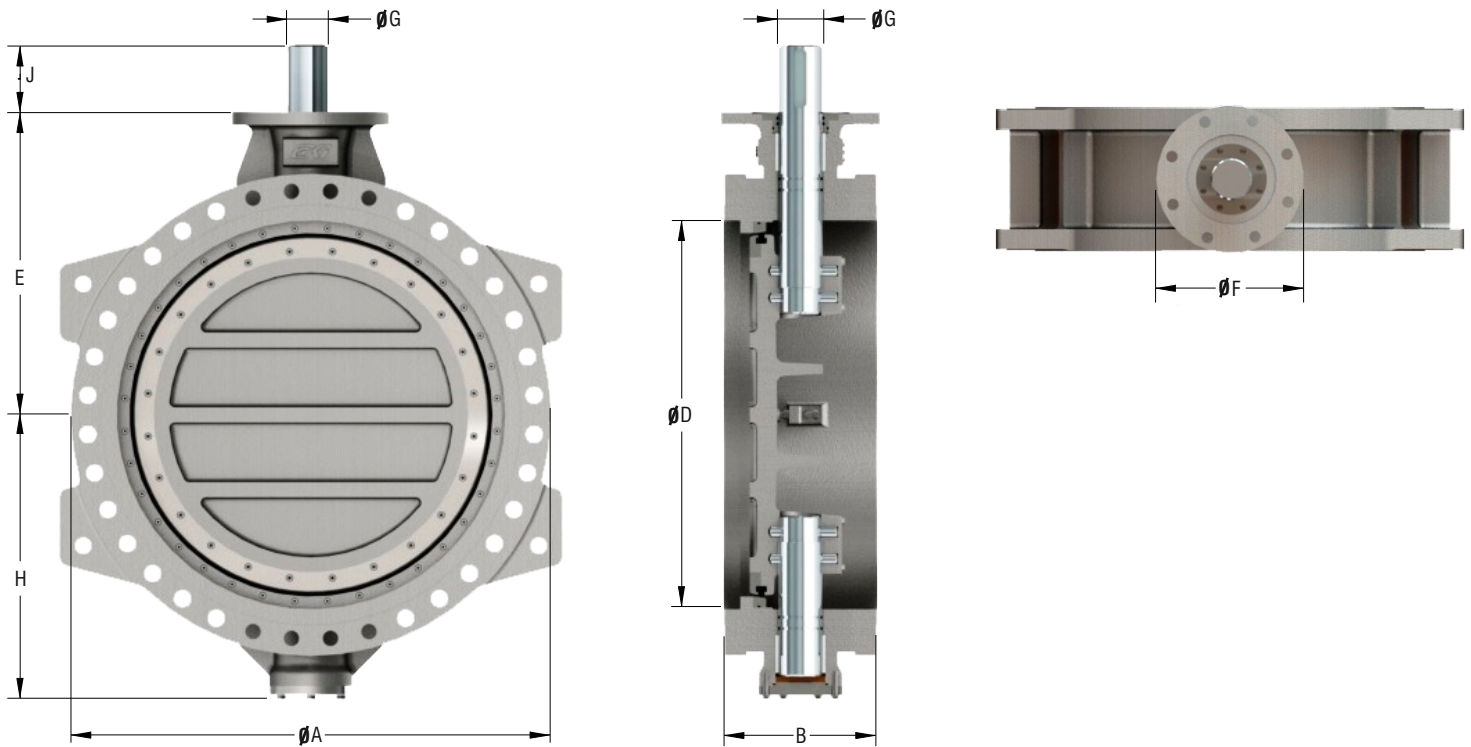
- Manual Hand Lever (Up To DN150 mm)
- Manual Gearbox (DN200 mm & Above)
- Pneumatic Actuator with Accessories & Manual Override.

### Material of Construction :

- Body - Cast Iron, Ductile Iron & Carbon Steel
- Disc - CF8M/CF8, DI & CS
- Stem - SS 410, SS 316
- Seat - EPDM, Buna N, Viton & Silicon

**"BETTER... BY DESIGN!"**

## DIMENSIONS

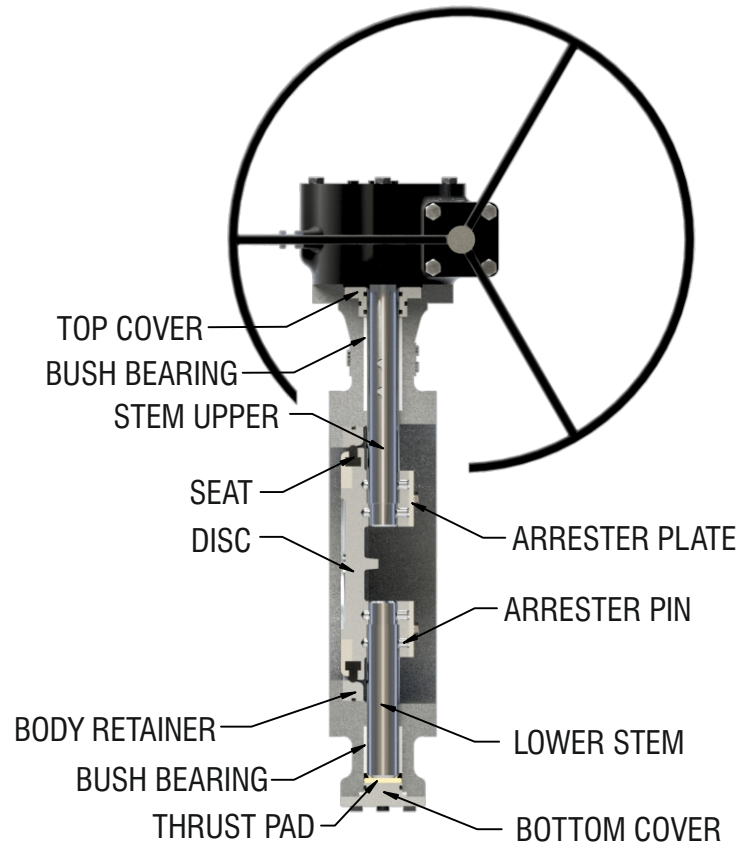
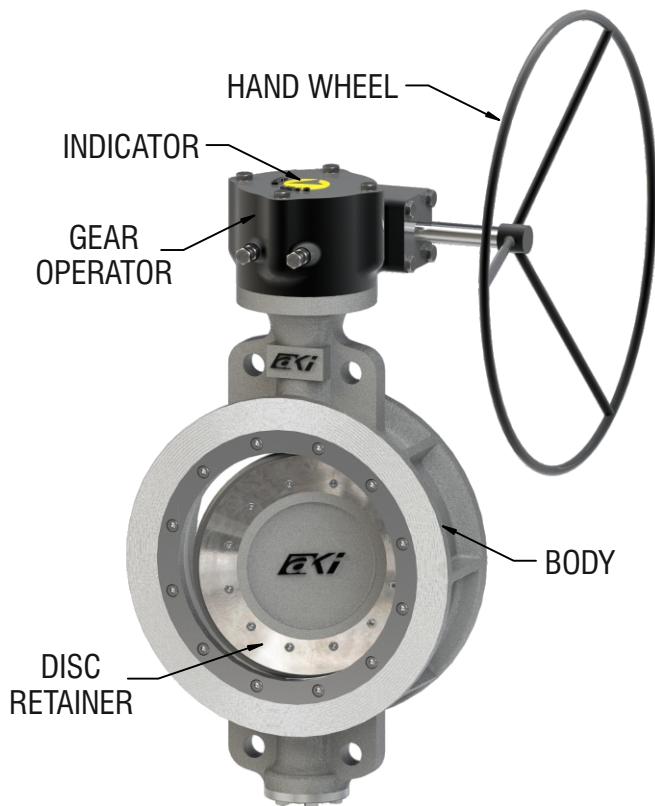


SIZE	$\varnothing A$	B	$\varnothing D$	E	$\varnothing F$	Top Plate Drilling			$\varnothing G$	H	J	Weight Kg (Approx)		
						BC	No	Hole $\varnothing$				PN6	PN10	PN16
DN80 (3")	200	114	96	150	90	70	4	9	16	121	30	-	-	33
DN100 (4")	230	127	112	170	90	70	4	9	16	135	30	-	-	35
DN125 (5")	255	140	150	185	90	70	4	9	19	150	30	-	-	-
DN150 (6")	285	140	168	205	90	70	4	9	24	165	30	-	-	68
DN200 (8")	345	152	210	230	125	102	4	11	26	200	40	-	-	75
DN250 (10")	405	165	270	260	150	125	4	14	32	225	50	-	-	102
DN300 (12")	485	178	300	300	150	125	4	14	36	260	55	-	-	120
DN350 (14")	535	190	360	330	150	125	4	14	36	300	55	-	-	155
DN400 (16")	595	216	405	370	175	140	4	18	43	335	65	-	-	200
DN450 (18")	640	222	445	400	175	140	4	18	50	365	75	-	-	285
DN500 (20")	715	229	510	450	210	165	4	22	60	405	90	-	-	350
DN600 (24")	840	267	610	535	300	254	8	18	70	475	105	-	-	585
DN700 (28")	925	292	710	585	300	254	8	18	89	525	135	-	-	825
DN800 (32")	1060	318	810	670	350	298	8	22	102	605	155	-	-	895
DN900 (36")	1170	330	910	705	350	298	8	22	102	660	155	-	-	1310
DN1000 (40")	1290	410	1040	810	415	356	8	33	120	750	180	-	-	1680

**"BETTER... BY DESIGN!"**

## TYPE "BF100" FEATURES

- |   |   |
|---|---|
| <input type="checkbox"/> Double Offset Disc Wafer Type        | <input type="checkbox"/> Bubble tight sealing           |
| <input type="checkbox"/> Designed to BS - EN 593/API 609      | <input type="checkbox"/> Low pressure drop & Low Torque |
| <input type="checkbox"/> Face to Face BS - EN 558             | <input type="checkbox"/> Blow-out proof stem            |
| <input type="checkbox"/> Testing Std. BS EN 12266-1 / API 598 | <input type="checkbox"/> Easy Replaceable Seat          |



### Size Range :

- DN80 - DN1000 / 3" - 40"

### Pressure Rating :

- DN80 - DN1000 = PN10/PN16

### End Connection :

- To suit PN6, PN10, PN16  
ASME CL.150, T-11 & T-17

### Operation :

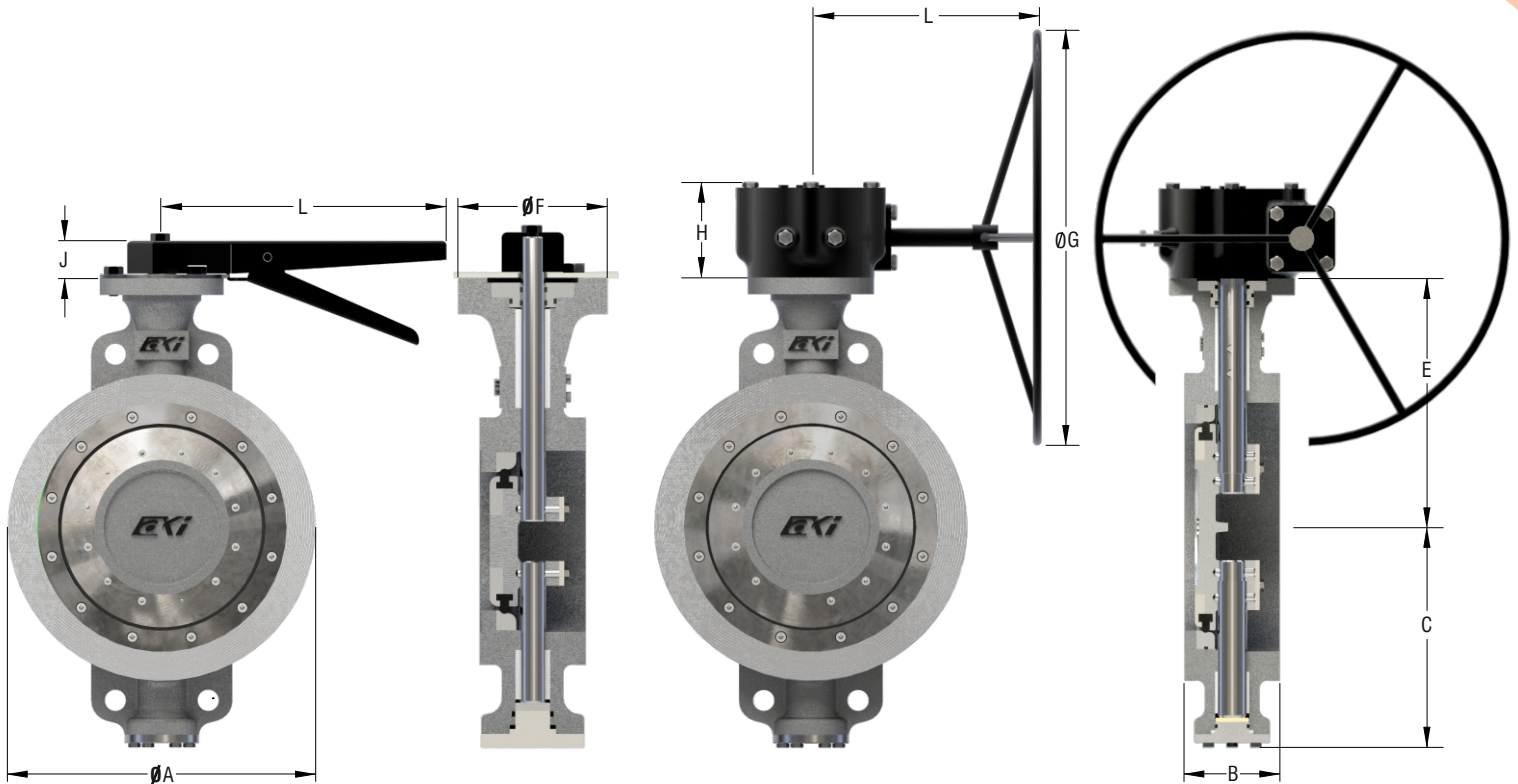
- Manual Hand Lever (Up To DN150 mm)
- Manual Gearbox (DN200 mm & Above)
- Pneumatic Actuator with Accessories & Manual Override.

### Material of Construction :

- Body - Cast Iron, Ductile Iron & Carbon Steel
- Disc - CF8M/CF8, DI & CS
- Stem - SS 410, SS 316
- Seat - EPDM, Buna N, Viton & Silicon

**"BETTER... BY DESIGN!"**

## DIMENSIONS

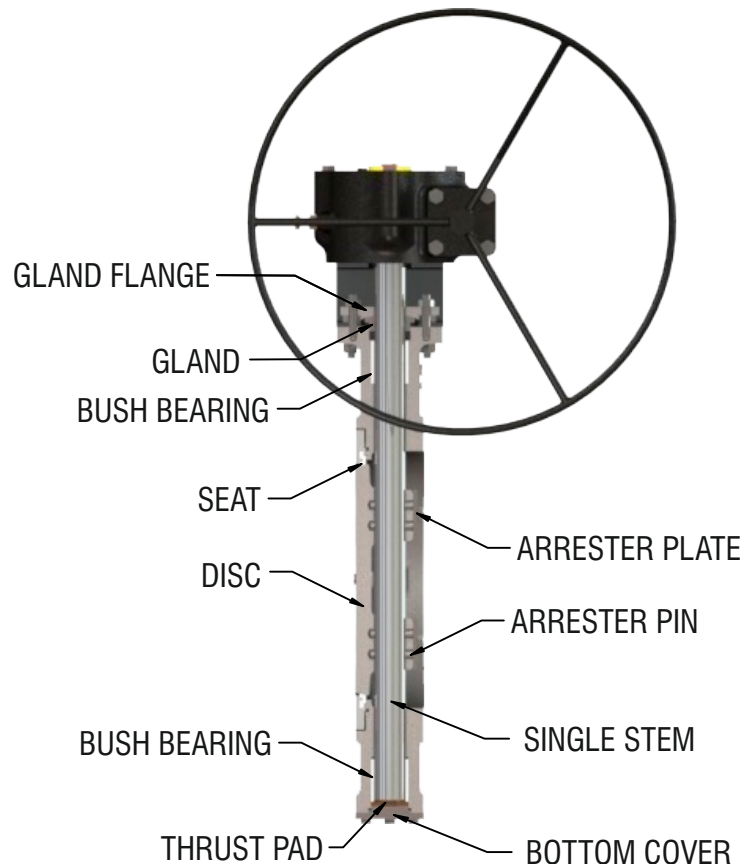
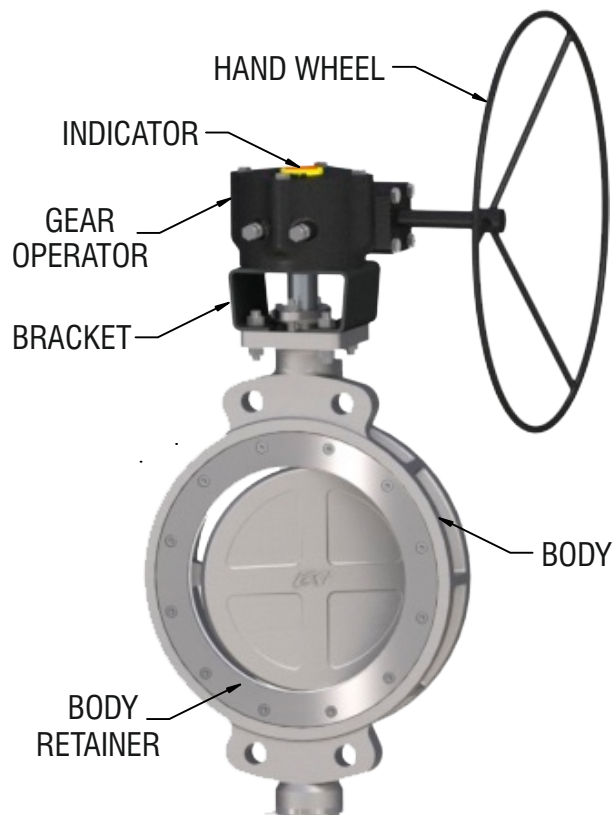


SIZE	$\varnothing A$	B	C	E	$\varnothing F$	Top Plate Drilling			$\varnothing G$	H	J	L	Weight Kg PN10/PN16
						BC	No	Hole $\varnothing$					
DN80 (3")	127	64	108	145	90	70	4	9	-	-	35	219	10
DN100 (4")	150	64	125	160	90	70	4	9	-	-	35	219	12.5
DN125 (5")	180	70	135	175	90	70	4	9	-	-	35	219	14
DN150 (6")	207	76	150	190	90	70	4	9	-	-	38	324	16
DN200 (8")	260	89	188	230	125	102	4	11	-	-	38	324	30
DN250 (10")	316	114	225	260	150	125	4	14	400	72	-	268	36
DN300 (12")	370	114	260	300	150	125	4	14	450	80	-	272	52
DN350 (14")	422	127	300	330	150	125	4	14	-	-	-	-	126
DN400 (16")	470	140	335	370	175	140	4	18	-	-	-	-	158
DN450 (18")	526	152	365	400	175	140	4	18	-	-	-	-	185
DN500 (20")	576	152	405	450	210	165	4	22	-	-	-	-	253
DN600 (24")	677	178	475	535	300	254	8	18	-	-	-	-	355
DN700 (28")	782	229	525	585	300	254	8	18	-	-	-	-	552
DN800 (32")	890	241	605	670	350	298	8	22	-	-	-	-	795
DN900 (36")	990	241	660	705	350	298	8	22	-	-	-	-	955
DN1000 (40")	1090	300	750	810	415	356	8	33	-	-	-	-	1105

**"BETTER... BY DESIGN!"**

## TYPE "BF300/BF300L" FEATURES (High Performance Butterfly Valves)

- |   |   |
|---|---|
| <input type="checkbox"/> Double Offset Disc Type              | <input type="checkbox"/> Bubble tight sealing           |
| <input type="checkbox"/> Designed to API 609                  | <input type="checkbox"/> Low pressure drop & Low Torque |
| <input type="checkbox"/> Face to Face API 609                 | <input type="checkbox"/> Blow-out proof stem            |
| <input type="checkbox"/> Testing Std. BS EN 12266-1 / API 598 | <input type="checkbox"/> Easy Replaceable Seat          |



### Size Range :

- DN80 - DN600 / 3" - 24"

### Pressure Rating :

- DN80 - DN600 = CL.150/CL.300

### End Connection :

- To suit ASME CL.150/CL.300

### Design Types :

- Wafer & Lugg Type

### Operation :

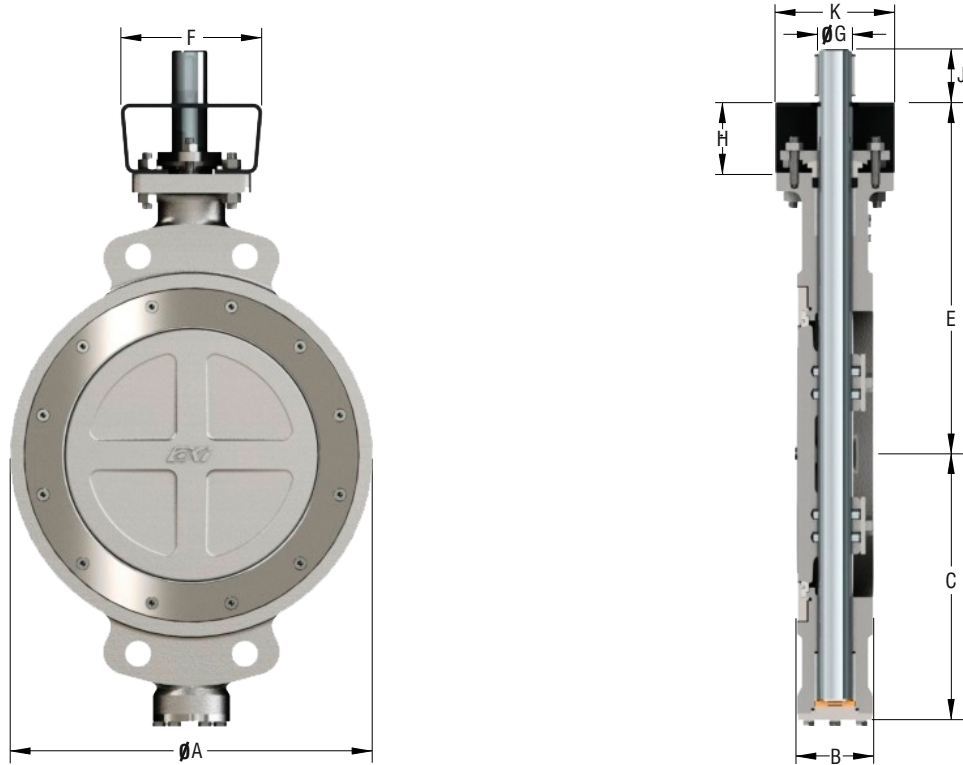
- Manual Hand Lever (Up To DN200 mm)
- Manual Gearbox (DN250 mm & Above)
- Pneumatic Actuator with Accessories & Manual Override.

### Material of Construction :

- Body - CF8M/CF8 & Carbon Steel
- Disc - CF8M/CF8
- Stem - SS 410, SS 316, SS316L
- Seat - PTFE / RPTFE

**"BETTER... BY DESIGN!"**

## DIMENSIONS



### CL.150

SIZE	ØA	B	C	E	F	Top Plate Drilling			ØG	H	J	K	Weight Kg	
						BC	No	HoleØ					Wafer	Lug
DN80 (3")	127	48	91	192	70	50	4	7	16	50	30	55	5.5	9.5
DN100 (4")	157	54	111	212	70	50	4	7	16	50	30	55	11	15.5
DN150 (6")	215	57	158	255	90	70	4	9	19	65	30	70	16	21
DN200 (8")	270	64	200	298	120	102	4	11	26	70	40	102	27	36
DN250 (10")	320	71	235	335	150	125	4	14	32	75	50	125	30	45
DN300 (12")	381	81	280	370	150	125	4	14	38	75	55	125	45	69
DN350 (14")	412	92	315	405	140	140	4	16	38	75	60	140	68	95
DN400 (16")	468	102	338	455	150	165	4	22	50	75	75	140	120	162
DN450 (18")	532	114	376	490	150	165	4	22	50	75	75	140	168	216
DN500 (20")	584	127	400	595	150	165	4	22	60	85	90	140	195	242
DN600 (24")	692	154	473	600	160	254	8	18	65	85	98	150	435	554

### CL.300

DN80 (3")	127	48	110	195	90	70	4	9	16	65	30	70	10	15.5
DN100 (4")	157	54	121	205	90	70	4	9	16	65	30	70	13	24
DN150 (6")	215	59	165	265	120	102	4	11	22	70	33	102	19	36
DN200 (8")	270	73	210	310	150	125	4	14	28	75	42	125	32	54
DN250 (10")	320	83	240	385	150	125	4	14	36	75	55	125	39	79
DN300 (12")	381	92	270	430	150	140	4	16	42	75	63	140	55	117
DN350 (14")	412	117	324	445	150	165	4	22	50	75	75	140	167	253
DN400 (16")	468	133	365	500	150	165	4	22	50	75	75	140	195	329
DN450 (18")	532	149	408	550	160	254	8	18	60	85	90	150	325	504
DN500 (20")	584	159	452	580	160	254	8	18	72	85	110	150	407	649
DN600 (24")	692	181	516	690	160	254	8	18	80	85	120	150	632	986

**"BETTER... BY DESIGN!"**

## TECHNICAL DATA

### TORQUE VALUES Nm

SIZE	BF50/50L		BF100/100F			BF300/300L	
	PN10	PN16	PN6	PN10	PN16	CL.150	CL.300
DN40 (1.5")	-	10	N/A	N/A	N/A	N/A	N/A
DN50 (2")	-	12	N/A	N/A	N/A	N/A	N/A
DN65 (2.5")	-	20	N/A	N/A	N/A	N/A	N/A
DN80 (3")	-	25	-	11	15	40	75
DN100 (4")	-	45	-	20	30	70	125
DN125 (5")	-	70	-	40	60	-	-
DN150 (6")	-	95	-	65	168	150	278
DN200 (8")	-	175	-	125	195	295	550
DN250 (10")	-	285	-	215	335	515	920
DN300 (12")	-	425	-	395	500	720	1260
DN350 (14")	650	N/A	-	465	685	1020	2250
DN400 (16")	875	N/A	-	705	1035	1160	2720
DN450 (18")	1150	N/A	-	1005	1460	2270	3650
DN500 (20")	1475	N/A	-	1425	2085	3075	4650
DN600 (24")	2700	N/A	-	2245	3400	4860	6850
DN700 (28")	N/A	N/A	-	3740	5850	N/A	N/A
DN800 (32")	N/A	N/A	-	6090	9490	N/A	N/A
DN900 (36")	N/A	N/A	-	8680	15230	N/A	N/A
DN1000 (40")	N/A	N/A	-	12300	21450	N/A	N/A

### Cv VALUES (FULL OPEN)

SIZE	BF50/50L	BF100/100F	BF300
DN40 (1.5")	95	N/A	N/A
DN50 (2")	160	N/A	N/A
DN65 (2.5")	270	N/A	N/A
DN80 (3")	452	265	215
DN100 (4")	860	480	375
DN125 (5")	1325	775	-
DN150 (6")	2015	1130	1090
DN200 (8")	3545	1500	2135
DN250 (10")	5575	2410	3295
DN300 (12")	8070	3445	4560
DN350 (14")	8700	4700	5680
DN400 (16")	12185	6585	7710
DN450 (18")	15515	8400	9990
DN500 (20")	18500	10415	12930
DN600 (24")	22325	15000	20550

SIZE	BF50/50L	BF100/100F	BF300
DN700 (28")	-	18020	-
DN800 (32")	-	26000	-
DN900 (36")	-	33725	-
DN1000 (40")	-	41580	-

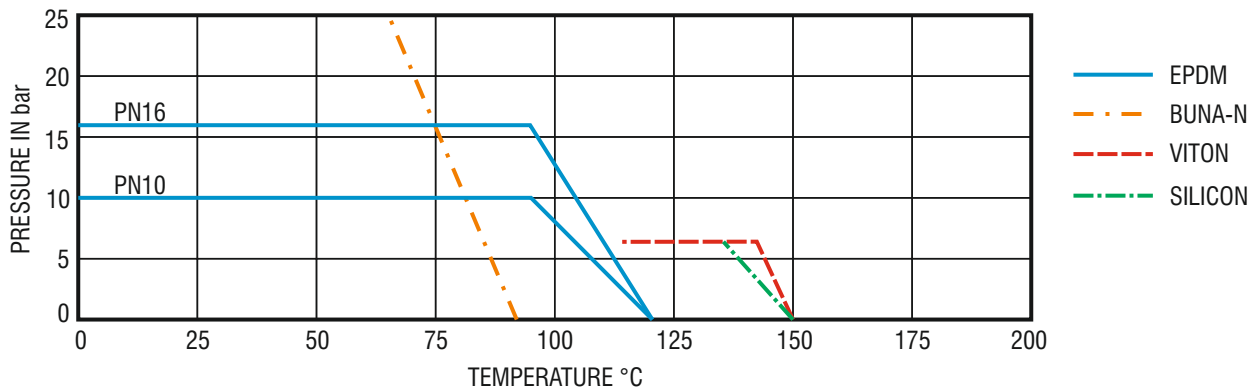
The running torque is equal to approximately 1/3 of the breakaway torque.

Torque values are without factor of safety.

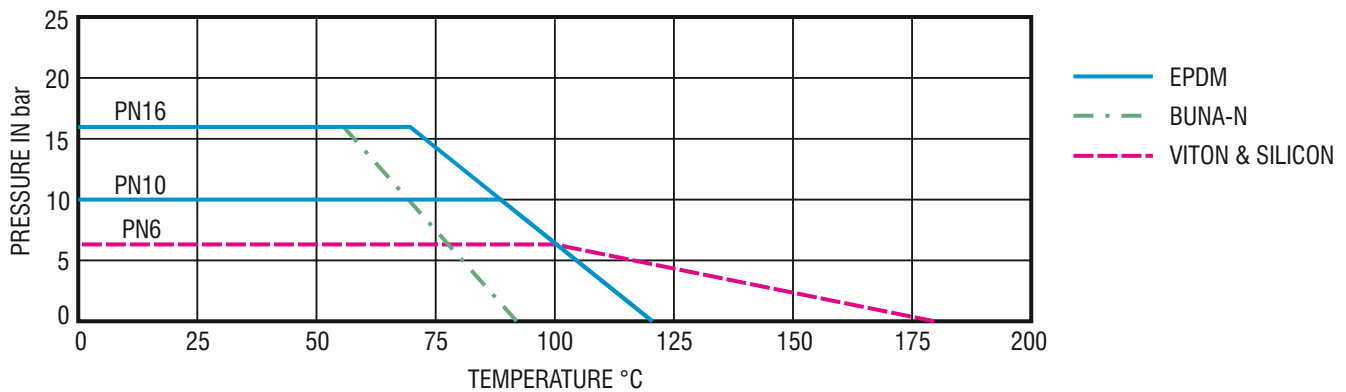
**"BETTER... BY DESIGN!"**

## PRESSURE TEMPERATURE RATINGS

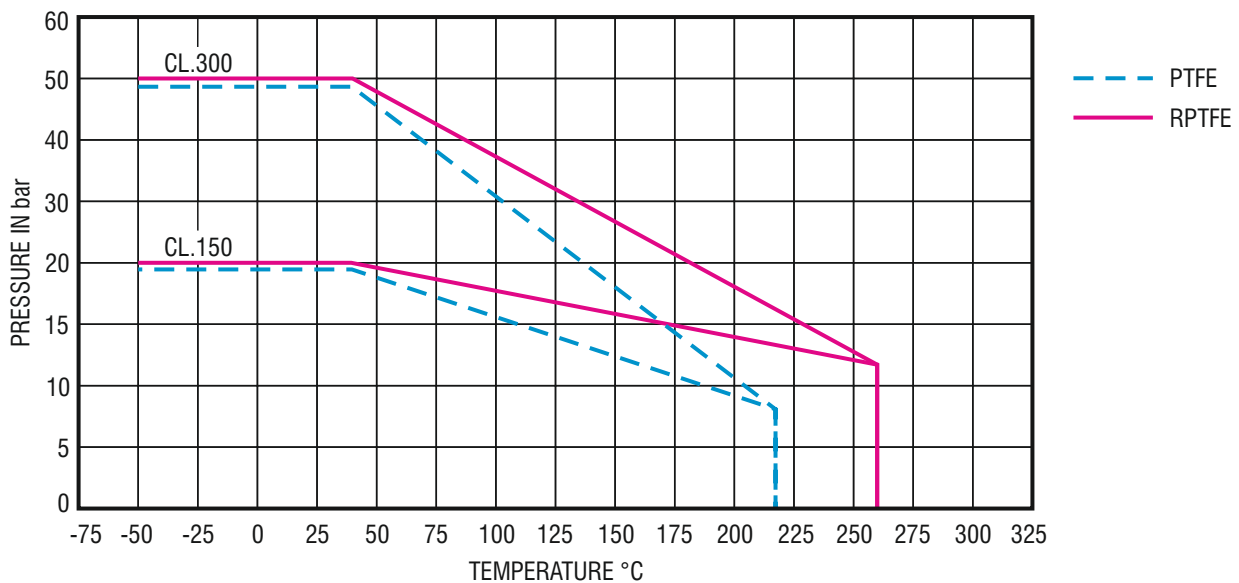
### BF50 / BF50L



### BF100F & BF100



### BF300 & BF300L



**“BETTER... BY DESIGN!”**

# INDUSTRIAL VALVES



Ball Valve



Butterfly Valve



Knife Gate Valve



Piston Valve



**AKAY INDUSTRIES PVT LTD**

CTS No: 611-612-1, STATION ROAD HUBLI - 580020 KARNATAKA - INDIA

TEL.: +91 (0) 836 2486001 / 02 • EMAIL: [business@akayind.co.in](mailto:business@akayind.co.in) • WEB: [www.akayind.co.in](http://www.akayind.co.in)